

November 8, 2019 Rev. 3

Page 1 of 2

To

Quote Patio Shade Cover:

Description: Amerimax, Attached, Non-Insulated, 19 ft. proj. (Scalloped Ends Only, No Tails) x 28 1/2 ft. Solid Shade Cover with (3) 3x3x1/8-14ft. HD steel posts into (3) 36 in. cube footings by Turn Key. Post setting by Factory Direct. Double 3x8x28 ft. Headers w/12 ga. Steel 'C' insert in one. Height under headers approx. 8 ft. Cover sloped at approx. 1/4 inch/ft. (5in.). Gutter and two (2) downspouts included. 27 in. side and 30" Front overhangs. Posts at approx. 12 ft. o.c. Three (3) 10" x10ft. (Cut) Round, Smooth, Roman Columns. Full 3x8 large perspective Wrap.

19 x 28 1/2 ft. = 542 Total sq. ft. \$6,775.00 Material (HD .036 material)

- 1,650.00 Labor
- 265.00 (1) Extra 3x8x28 Header (Double headers)
- X 690.00 Three (3) HD 3x3x1/8-14ft Steel Posts
- 320.00 (1) steel 'C' header insert 12 ga. 30 ft. (cut)
- 50.00 Steel Insert labor
- 175.00 3x8 Wrap
- 1,020.00 (3) 10"x10ft. Round, Smooth Roman Cols (Unpainted)
- 150.00 Roman column labor
- 200.00 Engineering and drawings
- X 250.00 Post setting
- 900.00 (9) 4in. Recessed LED's w/pan caps.

\$12,445.00 Total

Cover Material: 9115.00

Labor: 2390.00

Post Setting: 690.00 Posts
 250.00 Labor
940.00

360 M
 540 L ✓

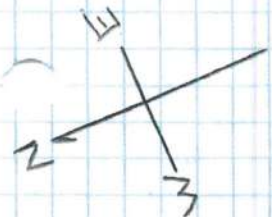
- Notes :
- 1) Slope cover min. 1/4 in./ft (5 inches)
 - 2) 3x8 Wrap all sides, No Tails, Scalloped Ends Only
 - 3) Roman Columns come unpainted and require Primer/Paint for final finish
 - 4) Permit by Turn Key, HOA by owner.
 - 5) Electrical fixtures and connections by customer. 4in. LED fixtures included.
 - 6) ICC ESR1398 Engineering, 110mph wind, Exposure C
 - 7) Fans purchased should include Standard Size mounting bases to fit properly onto the Amerimax 2 1/2 in. wide fan beams.

Colors: Ceiling, Latte
 Other, Spanish Brown

Ends: Scalloped

ICC ESR 1398
110MPH Wind
Exp. C
Trib - 11.0

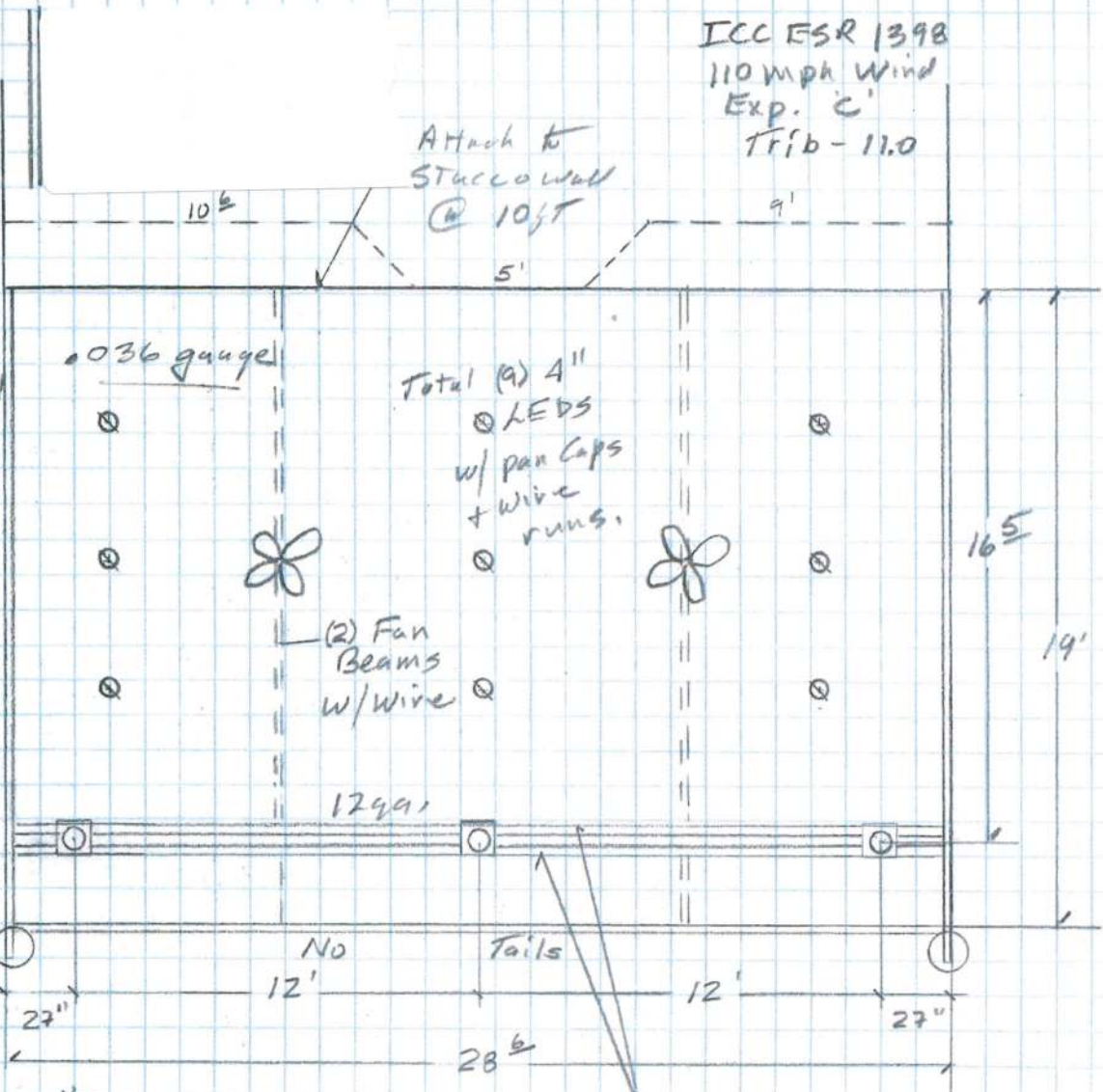
Attach to
Stucco wall
@ 10ft



Amerimax
Non-Insulated
Newport
Cover
19ft proj x 28ft
Wide

Color:
Ceiling, Latte
Other, Spanish
Brown

Ends:
Scalloped

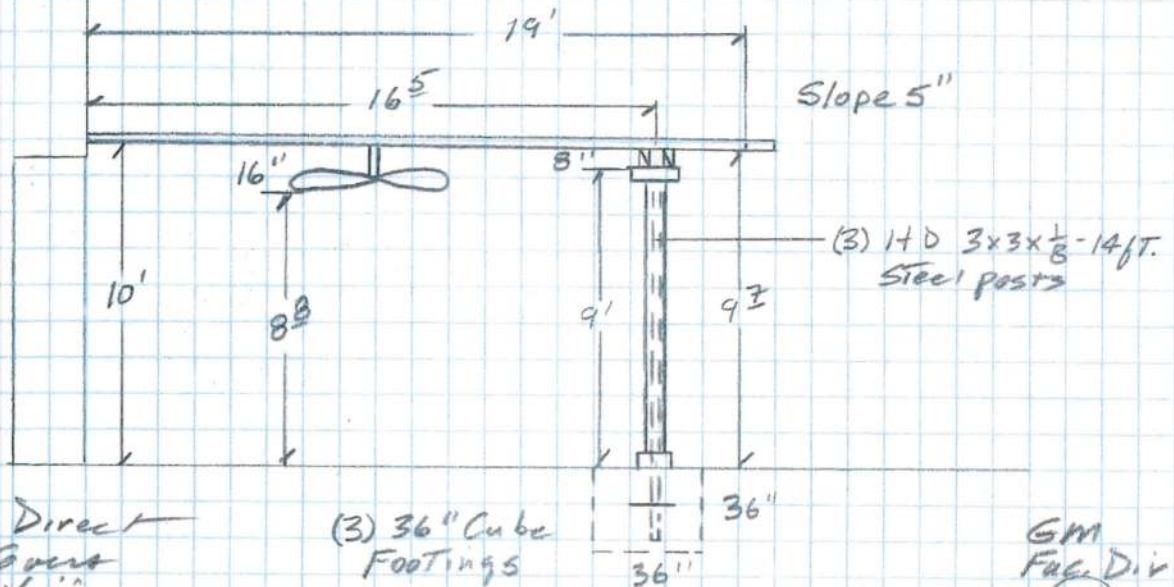


Scalloped
Ends Only
No Tails

*Note: Wire out location
to be determined
@ Install.

Double 3x8x28
Headers One w/12ga
Steel insert.

*Note:
Down spout
location to be
determined @
Install



Factory Direct
Patio Cover
Aliso Viejo

(3) 36" Cube
Footings

GM
Fac. Div
9-30-19
3
16