

Factory Direct Patio Covers Lic. # 883800 Project #9-84

November 26, 2019 Rev. 1

Page 1 of 2

To:

E-mail:

Quote Newport Cover:

Amerimax, Alumawood, Solid, Non-Insulated Newport Patio Cover 13 ft. proj. ( w/Full Wrap, Scallop Ends Only, No Tails) x 31 ft. wide. Double 3x8x29 1/2 ft. Headers. Four (4) Std. posts on existing footings/concrete slab. Posts at approx. 12 ft. from hanger/wall. Posts at approx. 9 1/2 ft. o.c. Approx. 18 in. side and 12 in. front overhangs. Height to hanger on wall approx. 9ft. 3in. Slope cover 4 in.

Total sq. ft. - 432

= \$4,600.00 Material (HD .032 Material)

-1,200.00 Labor

275.00 Extra header (Double header)

300.00 (2) Fan beams w/wire and pan cap.

600.00 (6) 4in. LED's with wire and pan caps

700.00 Demo and haul old wood cover

\$7,675.00 Total (Price valid for 60 days)

Mat'l: # 5315.00  
Labor: \$ 1660.00  
700.00 Demo  
2360.00

200M  
100 L  
240M  
360 L

- Notes: 1) Elec. fixtures & connections by customer.  
2) ICC ESR1398 Engineering, 110mph wind, Exposure C.

Warranty – Material - Limited Lifetime from Manufacturer, Amerimax  
Labor and Workmanship – 10 years

Color: All White

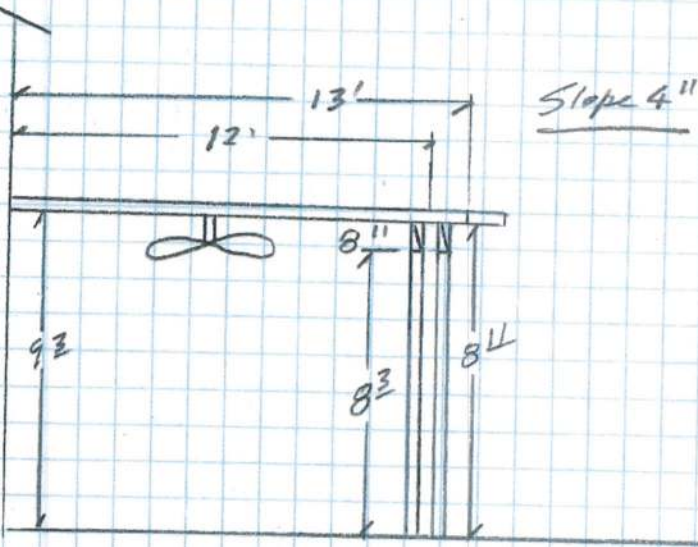
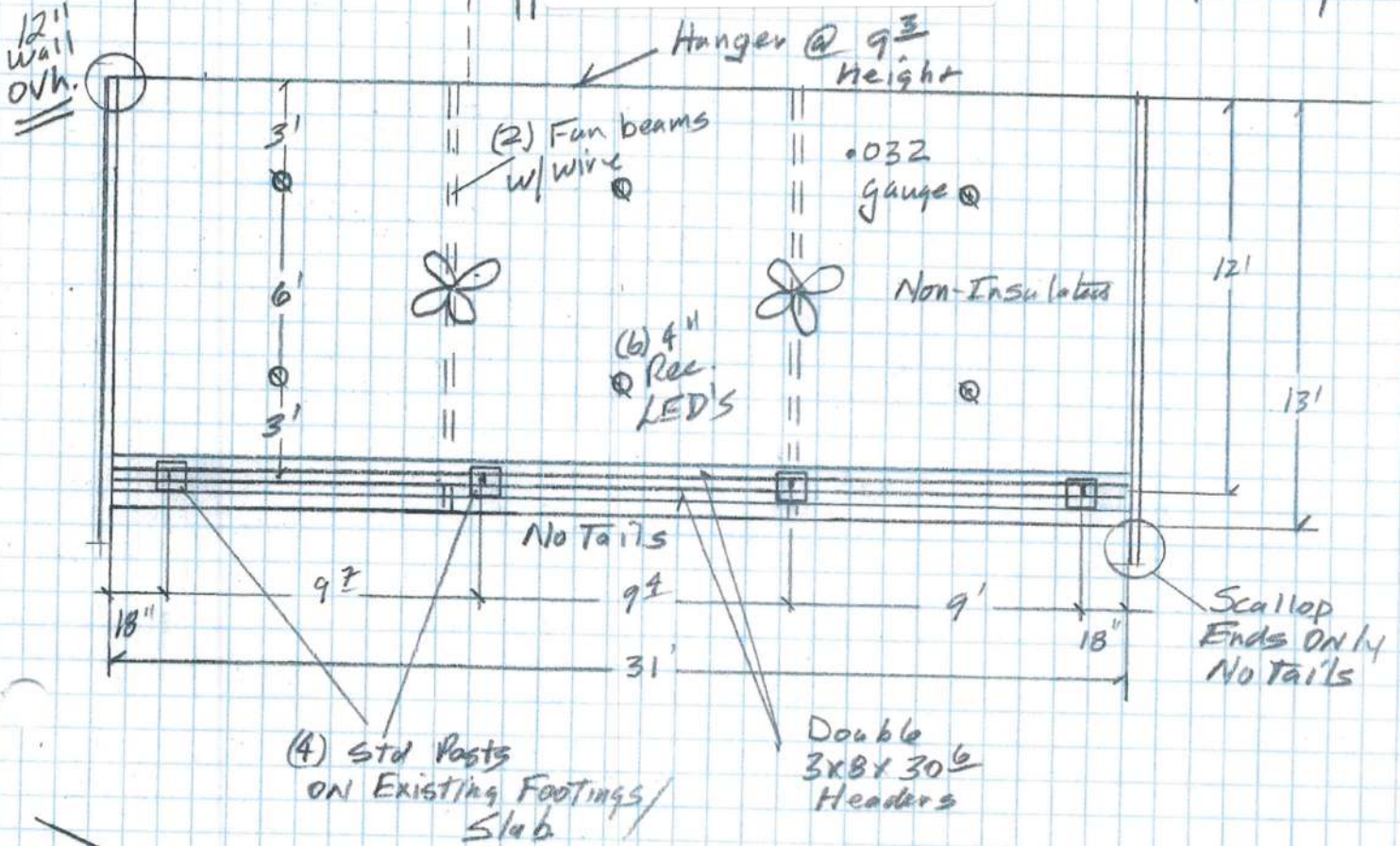
End Design: Scallop

Install: Friday, December 6

Completion: In 2-3 days

George Morgan- Factory Direct Patio Covers Cell: 714 422-5153  
gmorgan44@hotmail.com

ICC ESR 1398  
 Eng.  
 110 mph. Expc.



Amerimax  
 13ft proj & 31ft long  
 Non-Insulated  
 Newport Cover

Color: All White  
 ENDS: Scalloped

GM  
 Fac. Div  
 3/16