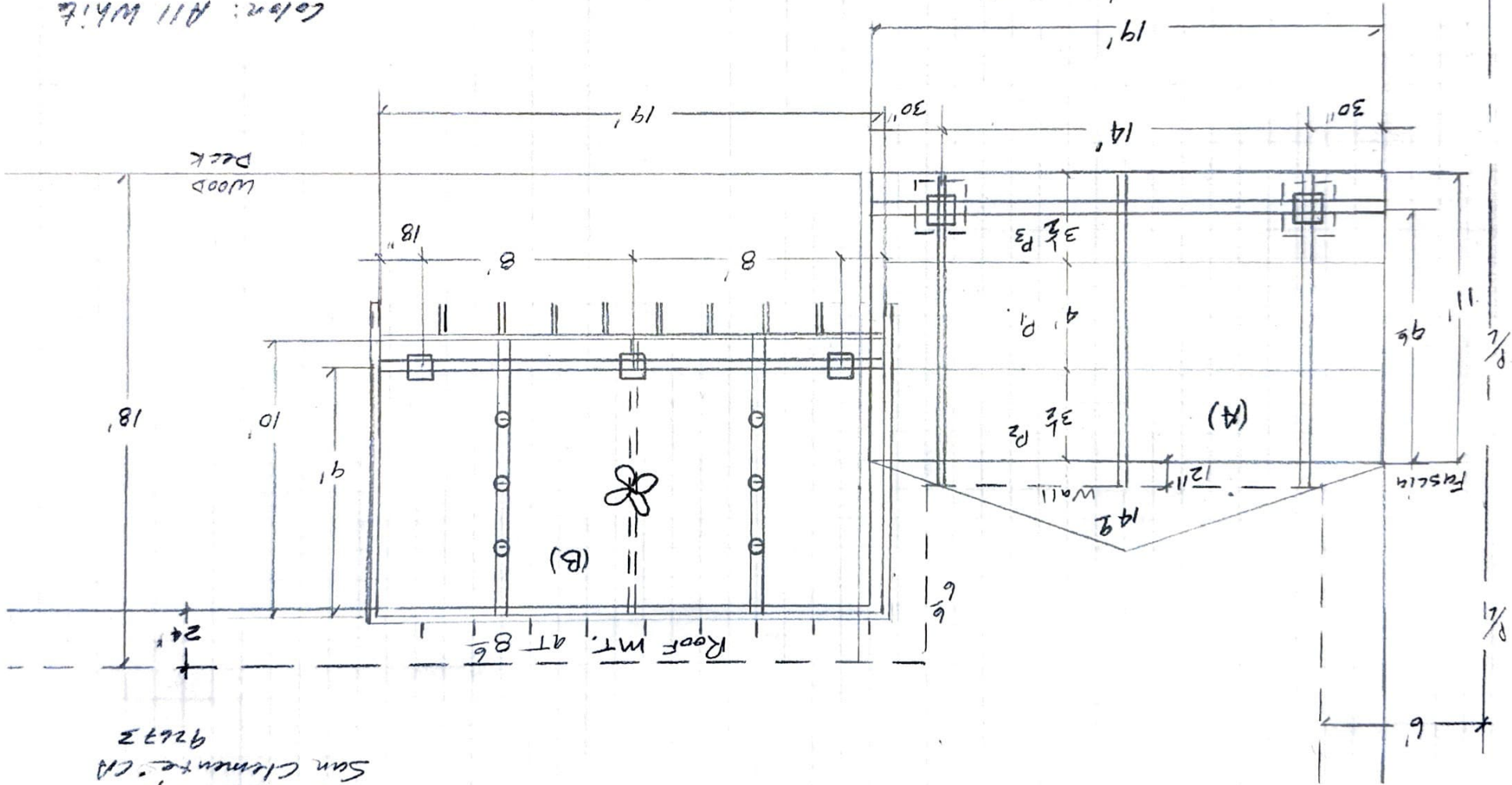


G.M.  
Fac. Dir.  
3/16

Color: All white  
Ends: Miter



(b) SECTIONS 4' x 10 1/2"  
21' of Mat'l Gabled  
MARR Panel

Draw 1 of 2

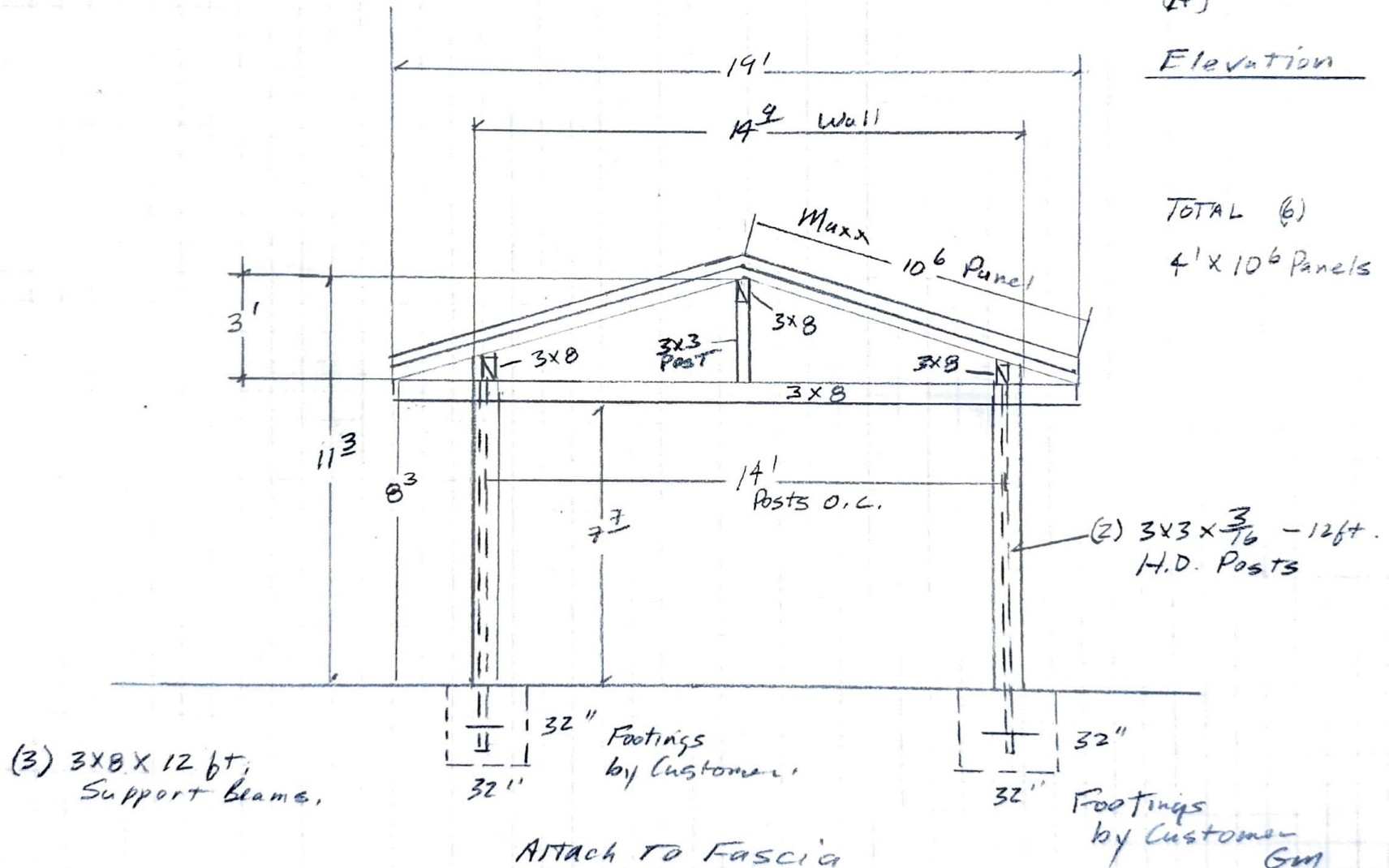
Sandifer  
4013 Calle Mayo  
San Clemente, CA  
92673

Draw 2 of 2

Sandifer  
4013 Calle Mayo  
San Clemente CA 92673

(A)

Elevation



TOTAL (6)  
4' x 106 Panels

GM  
Fac. Div  
 $\frac{1}{4}$